

## Screen Protection Sheet Attachment Instructions

Thank you for purchasing the Screen Protection Sheet (5 sheets/set).  
 Please read the following instructions prior to attaching this sheet to the screen.  
 Package Contents:

- (1) Screen Protection Sheet Attachment - Model No.ST400-DF01 (5 sheets)
- (2) Screen Protection Sheet Attachment Instructions (This page)



- In operating environments with high levels of humidity and moisture, condensation or mist may form between the sheet and the unit's screen.
- This sheet is made from flexible polyester, and is not designed to protect against sharp or hard objects. (i.e. it may tear if struck by a sharp object)
- If the sheet should start to peel away from the screen, DO NOT use a sharp or hard object (i.e. a knife, or pin) to remove the sheet, since it could scratch or damage the screen.

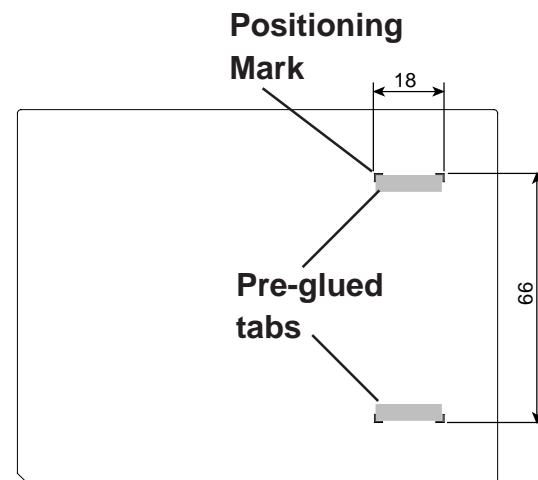
- This sheet is designed specifically to protect the screen from moisture, liquids and dirt.
- This sheet's matte finish helps to reduce glare and Newton rings (screen curve reflection lines).
- This sheet does not interfere in any way with the Touch Panel's normal touch operation.
- When dirt and smudges on the sheet begin to reduce the screen's visibility, please replace the sheet with a new one.

### ■ Creating a Custom ST Function Key Sheet

You can easily create a custom Function Key Sheet for your ST unit and attach it to the back of this protection sheet.

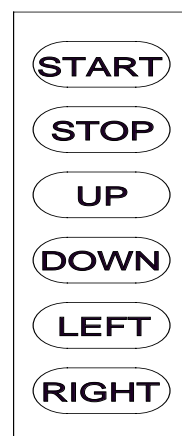
#### ◆ Function Key Sheet Positioning Points

Use the two positioning marks to align your function key sheet on the back of the protection sheet.



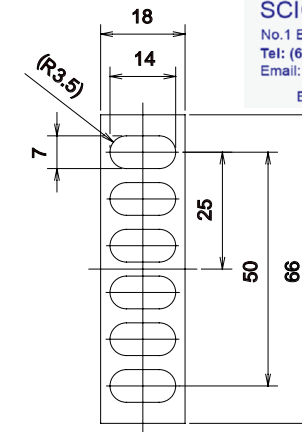
#### ◆ Function Key Sheet Material and Thickness

Use a PET-type plastic sheet, 0.05mm or thicker.



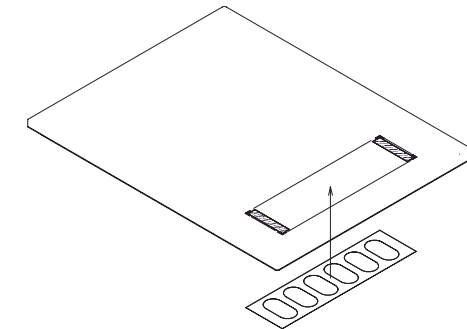
#### ◆ Function Key Sheet Dimensions

Use these figures when designing your Function Key Sheet.



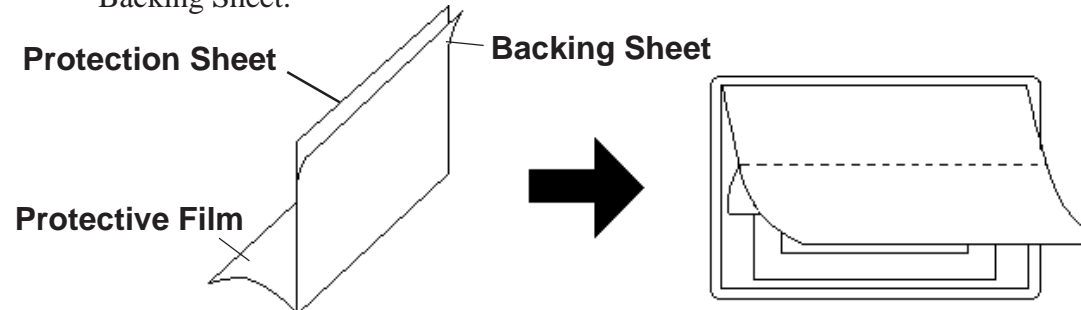
#### ◆ Function Key Sheet Positioning

Use the two adhesive tabs to position and attach the Function Key Sheet to the rear face of the Protection Sheet.



### ■ How to Attach the Protection Sheet

1. Prior to attaching the sheet, please clean the screen thoroughly with a soft cloth. (Use either water or a neutral detergent to remove tougher stains)
2. Remove the sheet's Protective Film, and peel off the Backing Sheet slightly to expose the Protection Sheet's adhesive surface.
3. Starting at the top of the screen, slowly attach the Protection Sheet while peeling off the Backing Sheet.



- Note:**
- Be sure to completely peel off the Protection Sheet's Protective Film.
  - When attaching a new Function Key Sheet, be sure to peel off the Backing Sheet completely prior to attaching the sheet to the screen.

### ■ Protection Sheet Specifications/Characteristics

Sheet Material		Polyester Film
Chemical Resistance Level	Protects Against	Hexane, Kerosene, Engine Oil, Diesel Oil, Lubrication Oil, Glycerine, Acetone, Acetic Anhydride, Benzene
	Does Not Protect Against	Ammonia, Sulfur Dioxide, Potassium Hydroxide, Caustic Soda, Nitrobenzene

#### Notice

Digital Electronics Corporation shall not be held responsible for any damages, losses or third-party claims resulting from the use of this product.